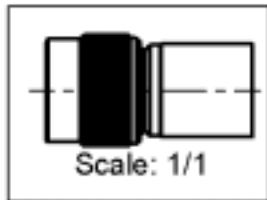
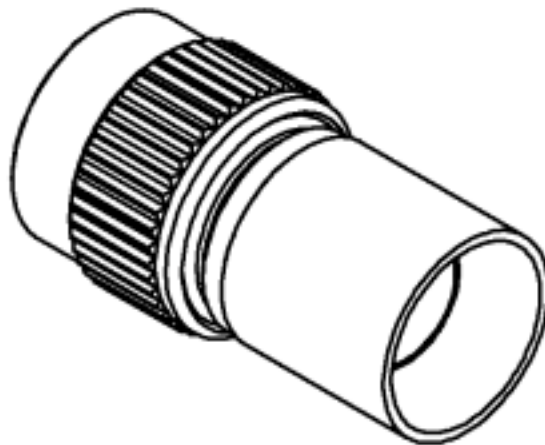
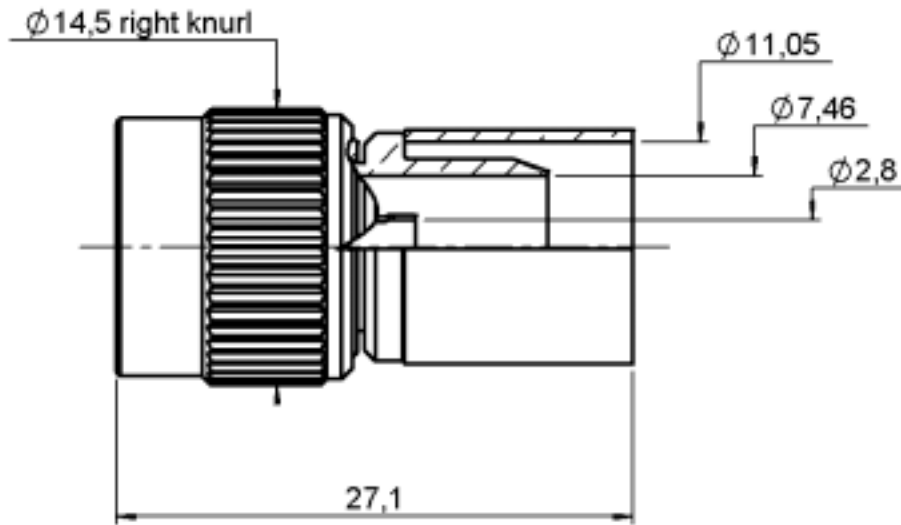


**RP TNC STRAIGHT PLUG CRIMP TYPE**

**CABLE 10/50S LMR400**

**R300.143.010**

Series :  
**REV.POLARITY**



All dimensions are in mm.



COMPONENTS	MATERIALS	PLATINGS ( $\mu\text{m}$ )
BODY	BRASS	BBR 2
CENTER CONTACT	BERYLLIUM COPPER	GOLD 0.5 OVER NICKEL 2
OUTER CONTACT	-	-
INSULATOR	PTFE	-
GASKET	SILICON	-
OTHERS PARTS	BRASS	BBR 2
-	-	-
-	-	-

Issue : 0310 B

In the effort to improve our products, we reserve the right to make changes judged to be necessary.



**RP TNC STRAIGHT PLUG CRIMP TYPE**

**R300.143.010**

**CABLE 10/50S LMR400**

Series :  
**REV.POLARITY**

**PACKAGING**

Standard	Unit	Other
<b>100</b>	<b>'W' option</b>	<b>Contact us</b>

**SPECIFICATION**

**ELECTRICAL CHARACTERISTICS**

Impedance		<b>50</b> Ω
Frequency		<b>0-11</b> GHz
VSWR	<b>1.4 +</b>	<b>0.000</b> x F(GHz) Maxi
Insertion loss		<b>0.06</b> √F(GHz) dB Maxi
RF leakage	- (	- F(GHz)) dB Maxi
Voltage rating		<b>500</b> Veff Maxi
Dielectric withstanding voltage		<b>1500</b> Veff mini
Insulation resistance		<b>5000</b> MΩ mini

**CABLE ASSEMBLY**

Stripping	a	b	c	d	e	f
mm	3.00	7.50	12.0	0.00	9.00	0.00

Assembly instruction : **Crimp 01**

Recommended cable(s)  
LMR 400

**MECHANICAL CHARACTERISTICS**

Center contact retention		
Axial force – Mating end	<b>27</b>	N mini
Axial force – Opposite end	<b>27</b>	N mini
Torque	<b>NA</b>	N.cm mini

Cable retention

- pull off	<b>200</b>	N mini
- torque	<b>NA</b>	N.cm

**TOOLING**

Part Number	Description	Hexagon
.	.	.
R282.231.000	CRIMPING TOOL	Hex2.54- Hex10.54
R282.293.000	CRIMPING TOOL	
R282.235.116	CRIMPING DIES	Hex2.54- Hex10.54

Recommended torque		
Mating		N.cm
Panel nut		N.cm
Clamp nut		N.cm
A/F clamp nut	<b>0.000</b>	mm

Mating life	<b>500</b>	Cycles mini
Weight	<b>14.000</b>	g

**OTHERS CHARACTERISTICS**

**ENVIRONMENTAL**

Operating temperature	<b>-65/+165</b>	° C
Hermetic seal		Atm.cm3/s
Panel leakage		

Issue : 0310 B

In the effort to improve our products, we reserve the right to make changes judged to be necessary.

